

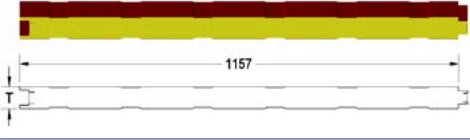
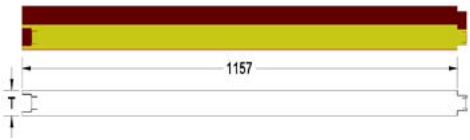
MANUFACTURERS OF:

- > Steel Buildings
- > Cold Storage
- > Warehouse Solutions and Storage Systems
- > Prefab Houses
- > Sandwich Panels
- > Camps
- > Shelters
- > Covering Panels
- > Affordable Houses
- > Containers
- > Solar Panel
- > Architectural Façades
- > Cranes
- > Accessories

Furn El Chebak | Tehouta Dalal Bldg. | Tel: +961 1 282 555 | info@dalalsteel.com
P.O. Box 50046, Beirut, Lebanon | Fax: +961 1 283 555 | www.dalalsteel.com

ACCESSORIES

SANDWICH PANELS

	<p>Type Effective width (mm) PU Thickness T (mm)</p> <p>WSP-1157 1157 50, 80, 100</p>	<p>Description Wall type sandwich panels, tongue-groove, micorib on both sides</p>
	<p>Type Effective width (mm) PU Thickness T (mm)</p> <p>WSPF-1157 1157 50, 80, 100</p>	<p>Description Wall type sandwich panels, tongue-groove, flat on 2 sides, maximum length 3000 mm</p>
	<p>Type Effective width (mm) PU Thickness T (mm)</p> <p>WSC-1157 1157 100, 120, 150, 200</p>	<p>Description Cold Store sandwich panels, double tongue-groove, micorib on both sides</p>
	<p>Type Effective width (mm) PU Thickness T (mm)</p> <p>WSPH-1070 1070 50, 80, 100</p>	<p>Description Wall type sandwich panels, Hidden Screw connection, micorib on both sides</p>
<p>Available Insulation Polyurethane (Density 40kg/m3), PIR, Rockwool Base material Prepainted Galvanized steel, Aluzinc, Aluminum Available Colors Off white, red, yellow, green, blue, brown, silver, grey PVDF, other base materials, colors & thicknesses available upon request</p>		
	<p>Type Effective width (mm) PU Thickness T (mm)</p> <p>RSP-985 985 50, 80, 100, 120</p>	<p>Description Roof type sandwich panels</p>
	<p>Type Effective width (mm) PU Thickness T (mm)</p> <p>SL-RSP-970 970 50, 80, 100</p>	<p>Description Roof type sandwich panels, Hidden Screw connection, micorib on both sides</p>
<p>Available Insulation Polyurethane (Density 40kg/m3), PIR, Rockwool Base material Prepainted Galvanized steel, Aluzinc, Aluminum Available Colors Off white, red, yellow, green, blue, brown, silver, grey PVDF, other base materials, colors & thicknesses available upon request</p>		

NEW!

MANUFACTURERS OF:

- > Steel Buildings
- > Cold Storage
- > Warehouse Solutions and Storage Systems
- > Prefab Houses
- > Sandwich Panels
- > Camps
- > Shelters
- > Covering Panels
- > Affordable Houses
- > Containers
- > Solar Panel
- > Architectural Façades
- > Cranes
- > Accessories

Furn El Chebak | Tehouta Dalal Bldg. | Tel: +961 1 282 555 | info@dalalsteel.com
P.O. Box 50046, Beirut, Lebanon | Fax: +961 1 283 555 | www.dalalsteel.com

ACCESSORIES

COVERING PANELS

	<p>Type T40/985 Effective width (mm) 985 Thickness (mm) 0.3-0.8</p>	<p>Application</p>
	<p>Type T45/900 Effective width (mm) 900 Thickness (mm) 0.3-0.8</p>	
	<p>Type T20/1035 Effective width (mm) 1035 Thickness (mm) 0.3-0.8</p>	
	<p>Type SW20/826 Effective width (mm) 826 Thickness (mm) 0.3-0.8</p>	
	<p>Type SW50/1067 Effective width (mm) 1067 Thickness (mm) 0.3-0.8</p>	
	<p>Type SL-T40/970 Effective width (mm) 970 Thickness (mm) 0.3-0.8</p>	<p>Application NEW! Roof Panel for solar panel fixation</p>
<p>Base material Mill finish /Prepainted Galvanized steel, Aluzinc, Aluminum Available Colors Off white, red, yellow, green, blue, brown, silver, grey PVDF, other base materials, colors & thicknesses available upon request</p>		
	<p>Type ISO35 Effective width (mm) 1184 Thickness (mm) 1.2-2.5</p>	<p>Application Container type panel, decorative panel</p>
<p>Base material Mill finish Steel</p>		
	<p>Type DP59/750 Effective width (mm) 750 Thickness (mm) 0.7-1.2</p>	<p>Application Roofing, concrete decking</p>
	<p>Type DP100/823 Effective width (mm) 823 Thickness (mm) 0.7-1.2</p>	<p>Application Roofing, concrete decking</p>
<p>Base material Mill finish steel, Aluminum PVDF, other base materials, colors & thicknesses available upon request</p>		

MANUFACTURERS OF:

- > Steel Buildings
- > Cold Storage
- > Warehouse Solutions and Storage Systems
- > Prefab Houses
- > Sandwich Panels
- > Camps
- > Shelters
- > Covering Panels
- > Affordable Houses
- > Containers
- > Solar Panel
- > Architectural Façades
- > Cranes
- > Accessories

Furn El Chebak | Tehouta Dalal Bldg. | Tel: +961 1 282 555 | info@dalalsteel.com
 P.O. Box 50046, Beirut, Lebanon | Fax: +961 1 283 555 | www.dalalsteel.com

ACCESSORIES

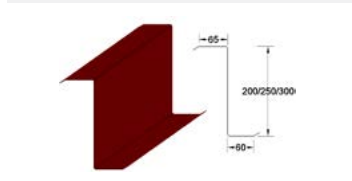
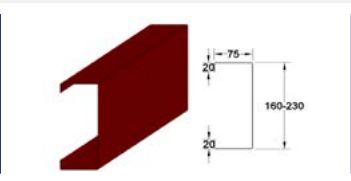
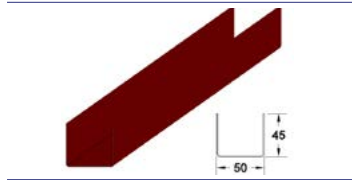
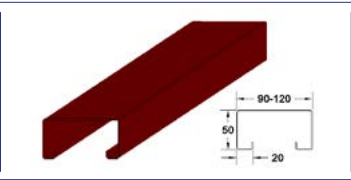
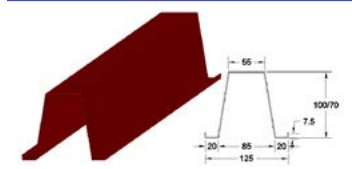
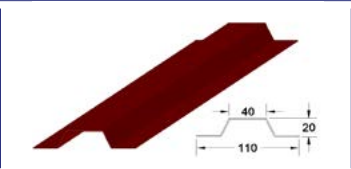
▪ SPECIAL PANELS

	<p>Type Effective width (mm) Thickness (mm)</p> <p>DZip-438/65 438 0.6-1.0</p>	<p>Application Seamed Roofing, wall cladding</p>
	<p>Type Effective width (mm) Thickness (mm)</p> <p>DLock- 405/76 405 1.0-2.0</p>	<p>Application Interlock High rib roofing and wall cladding</p>
	<p>Type Effective width (mm) Thickness (mm)</p> <p>DLock- 285/40 285 0.5-1.0</p>	<p>Application Roof and liner panel</p>
	<p>Type Effective width (mm) Thickness (mm)</p> <p>LP-280/20 280 0.5-0.8</p>	<p>Application Hidden screw wall, liner panel, decorative</p>

Base material | Mill finish steel, Prepainted Galvanized steel, Aluzinc, Aluminum
Available Colors | Off white, red, yellow, green, blue, brown, silver, grey

PVDF, weathering steel, other base materials, colors & thicknesses available upon request

▪ OPEN SECTIONS

	<p>Z 200 - 250 - 300</p>		<p>C 160 - 180 - 230</p>
	<p>U 50</p>		<p>U 90 -100-120</p>
	<p>OG 70 - 100</p>		<p>OG 20</p>

Profiles available 1.0-2.5mm thick
Other angles, profiles, bent shapes available upon request

▪ SOLAR PANELS FIXATION



* To be fixed on Solar Panel Type Roofing SL-T40/970 & SL-RSP-985



MANUFACTURERS OF:

- > Steel Buildings
- > Cold Storage
- > Warehouse Solutions and Storage Systems
- > Prefab Houses
- > Sandwich Panels
- > Camps
- > Shelters
- > Covering Panels
- > Affordable Houses
- > Containers
- > Solar Panel
- > Architectural Façades
- > Cranes
- > Accessories

Furn El Chebak | Tehouita Dalal Bldg. | Tel: +961 1 282 555 | info@dalalsteel.com
 P.O. Box 50046, Beirut, Lebanon | Fax: +961 1 283 555 | www.dalalsteel.com

ACCESSORIES

Dalal Steel Industries accessories such as commercial overhead doors and windows can add finishing touches to any prefabricated metal building. We understand that accessories can be as important as the building itself, this is why Dalal Steel Industries makes sure to meet our builders' professional demands.

When producing accessories, we look for consistency in manufacturing and quality of products. Dalal stands for the best quality and service and supplies all types of accessories that are necessary for the end result of your project.



| PERSONAL DOOR



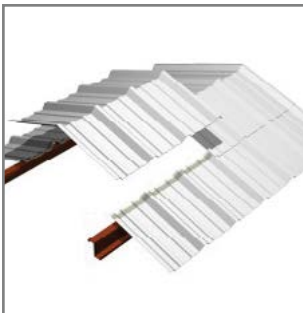
| ALUMINIUM WINDOW



| SECTIONAL DOOR



| CANOPY



| ROOF



| ROLL-UP DOOR



| INSULATION



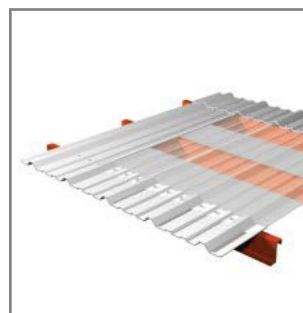
| ROOF EXTENSION



| LOUVER VENT



| CIRCULAR VENT



| FIBER GLASS SKYLIGHT



| RIDGE VENT